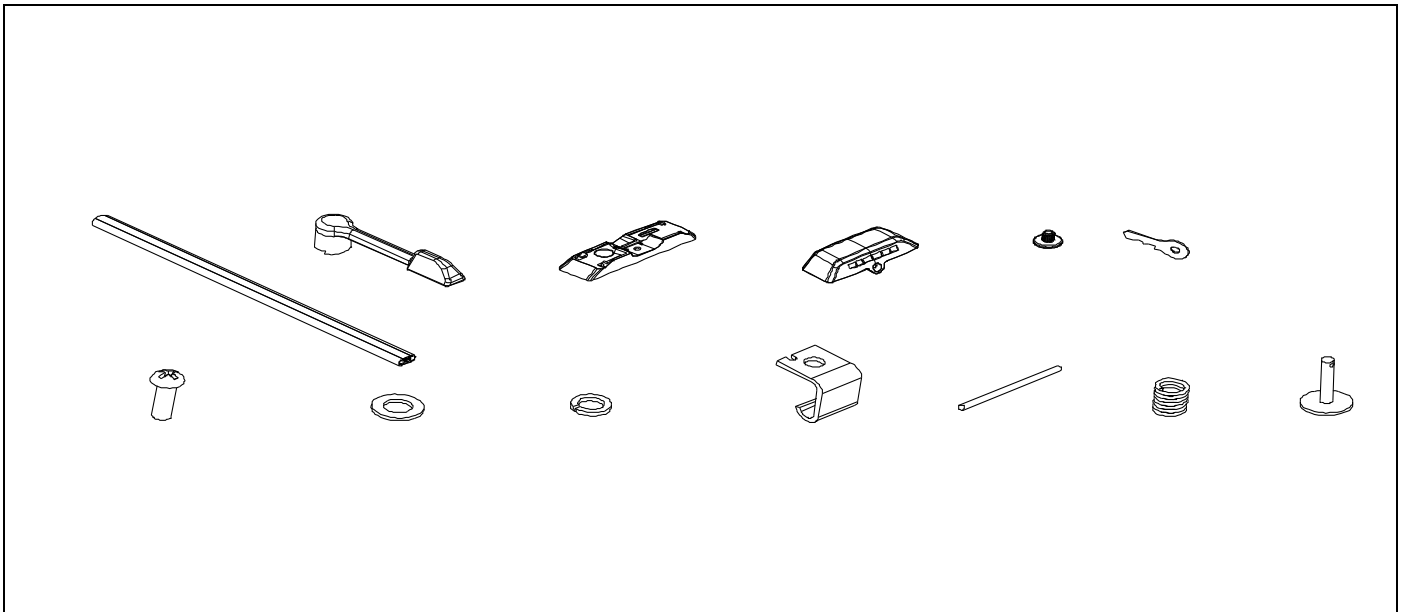


INSTALLATION INSTRUCTIONS
PART#10457 / 10457B
CROSS BAR FOR HUMMER H3 06

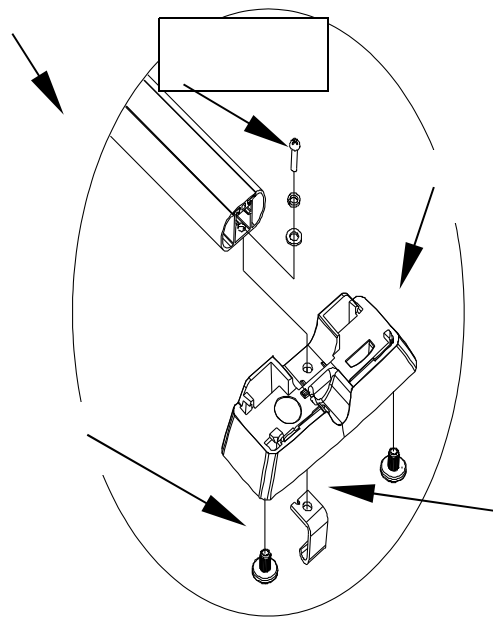
Part list:

No.	Description	Qty	Remarks	No.	Description	Qty	Remarks
	Cross bar	2			Flat washer	4	8mm
	handle	4			Spring washer	4	8mm
	Packing block	4			hamulus	4	
	Cover	4			dowel	4	
	Plastic block	8			Spring	4	
	Key	2			Pull handle	4	
	Philips Screws	4	M8×20				



Note : Please read this information before installation.

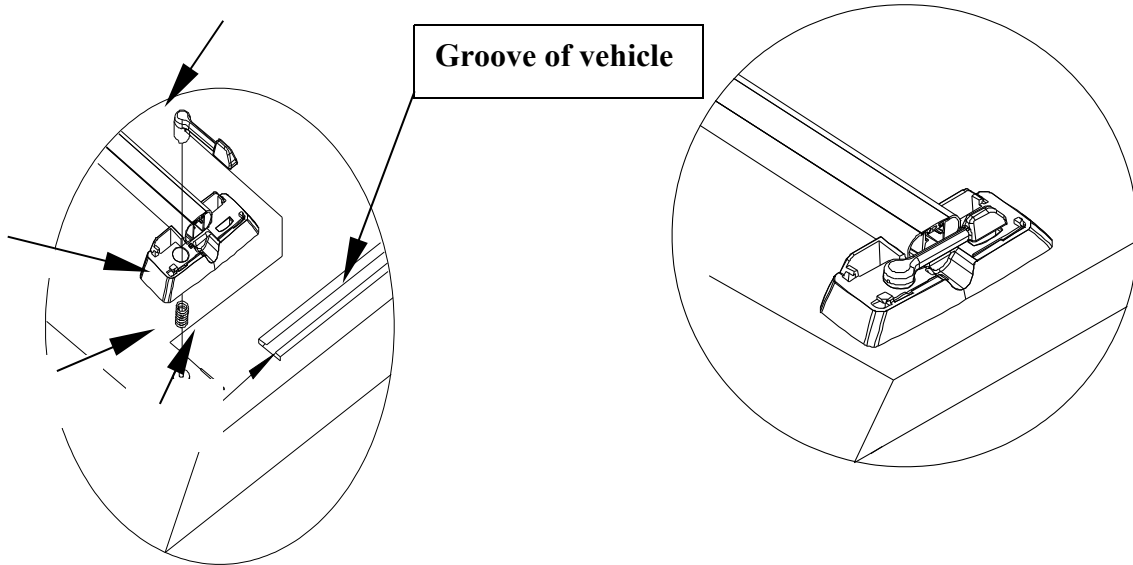
Step one: Locate the edge of onto by tightening the „. Plug into the bottom of .



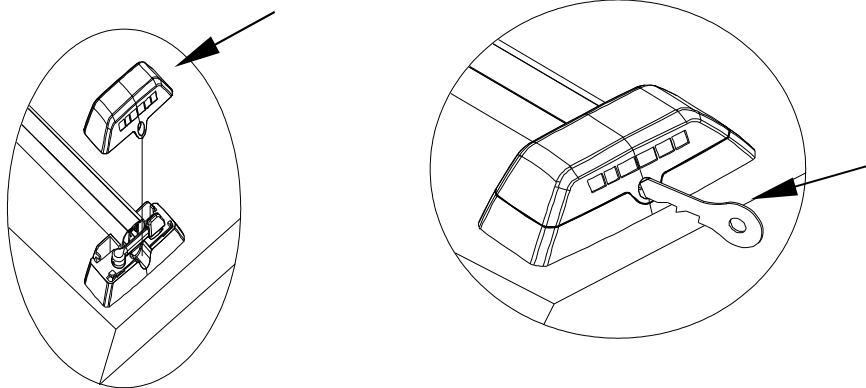
PART#10457

CROSS BAR FOR HUMMER H3 06

Step two: Fix the „ onto the vehicle by silding onto the groove on ton.



Step three: On top and lock up.



Step four :Have already set to complete now.

