

# INSTALLATION INSTRUCTIONS

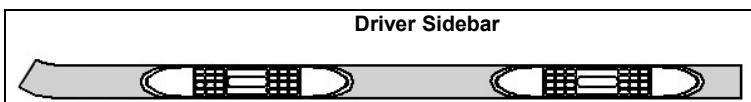
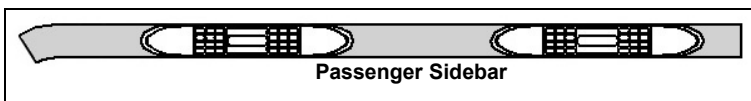
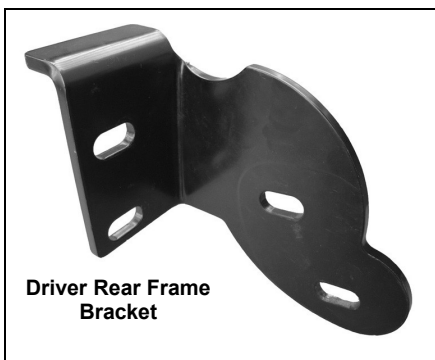
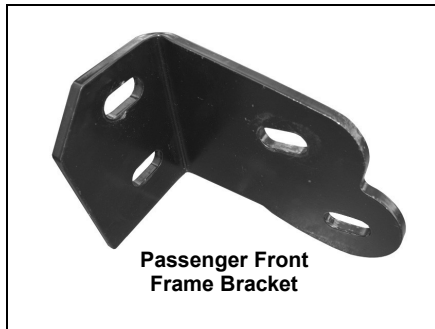
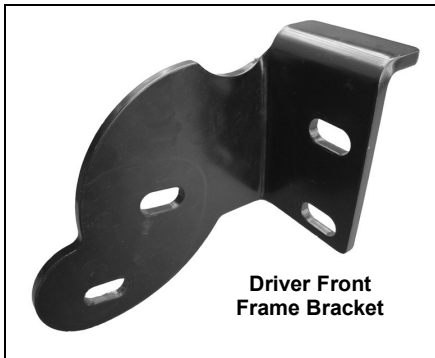
## SIDEBAR

### 00-04 NISSAN FRONTIER CREW CAB

#### PART NUMBER

**PARTS LIST:**

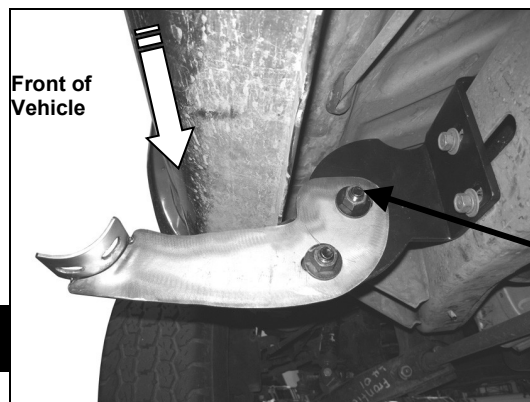
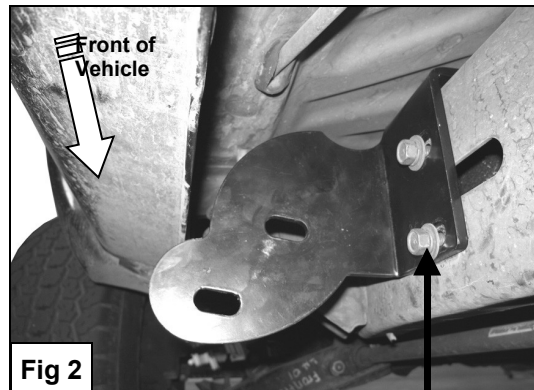
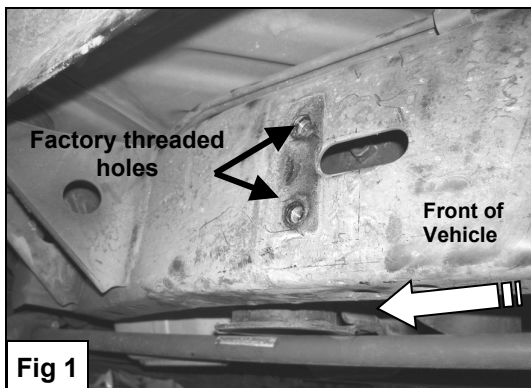
1	Driver/Left Sidebar	8	12-1.75mm x 35mm Hex Head Bolts
1	Passenger/Right Sidebar	8	12mm Nylock Nuts
1	Driver/Left Front Frame Bracket	16	12mm ID x 29mm OD x 3mm Flat Washers
1	Passenger/Right Front Frame Bracket	8	10-1.25mm x 30mm Hex Head Bolts
1	Driver/Left Rear Frame Bracket	8	10mm Lock Washers
1	Passenger/Right Rear Frame Bracket	8	10mm ID x 26mm OD x 3mm Flat Washers
2	Driver/Left Sidebar Brackets	8	8-1.25mm x 25mm Hex Head Bolts
2	Passenger/Right Sidebar Brackets	8	8mm Lock Washers
		8	8mm ID x 22mm OD x 1.5mm Flat Washers



## PROCEDURE:

1. REMOVE CONTENTS FROM BOX. VERIFY ALL PARTS ARE PRESENT. READ INSTRUCTIONS CAREFULLY BEFORE STARTING INSTALLATION.
2. There are two threaded holes and a slotted hole on the frame towards the front of the vehicle. Use the two threaded holes to partially install the driver front Frame Bracket to frame using the included (2) 10mm x 30mm Hex Head Bolts, (2) 10mm Lock Washers, and (2) 10mm Flat Washers (**Figure 1 & 2**). **NOTE:** If vehicle is equipped with factory sidebars, you may use the factory bolts.
3. Proceed to attach the driver front Sidebar Bracket to the side facing the rear of the vehicle of the already installed Frame Bracket. Use the included (2) 12mm x 35mm Hex Head Bolts, (2) 12mm Nylock Nuts, and (4) 12m Flat Washers (**Figure 3**). **NOTE:** The cradle on the Sidebar Bracket should be facing the rear of the vehicle. Do not tighten at this time.
4. There are two threaded holes and three non-threaded holes on the frame towards the rear of the vehicle. Use the two threaded holes to partially install the driver rear Frame Bracket to frame using the included (2) 10mm x 30mm Hex Head Bolts, (2) 10mm Lock Washers, and (2) 10mm Flat Washers (**Figure 4 & 5**). **NOTE:** If vehicle is equipped with factory sidebars, you may use the factory bolts.
5. Attach the driver rear Sidebar Bracket to the side facing the front of the vehicle of the already installed Frame Bracket. Use the included (2) 12mm x 35mm Hex Head Bolts, (2) 12mm Nylock Nuts, and (4) 12m Flat Washers (**Figure 6**). **NOTE:** The cradle on the Sidebar Bracket should be facing the rear of the vehicle. Do not tighten at this time.
6. Position Sidebar onto Mounting Brackets. Attach Sidebar to Mounting Brackets using the included (4) 8mm x 25mm Hex Head Bolts, (4) 8mm Lock Washers, and (4) 8mm Flat Washers (**Figure 7**). Do not tighten at this time.
7. Adjust Sidebar properly; and then tighten all hardware at this time.
8. Repeat steps 2-7 for passenger Sidebar.
9. Do periodic inspections to the installation to make sure that all hardware is secure and tight.

### ***(Driver Front Mounting Brackets Shown)***

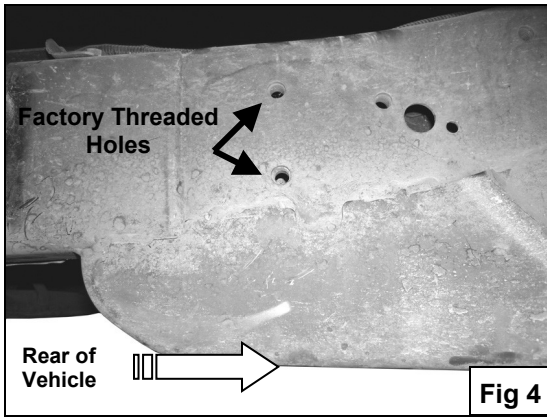


10mm x 30mm Hex Bolts  
10mm Lock Washers  
10mm Flat Washers  
Or  
Factory Bolts

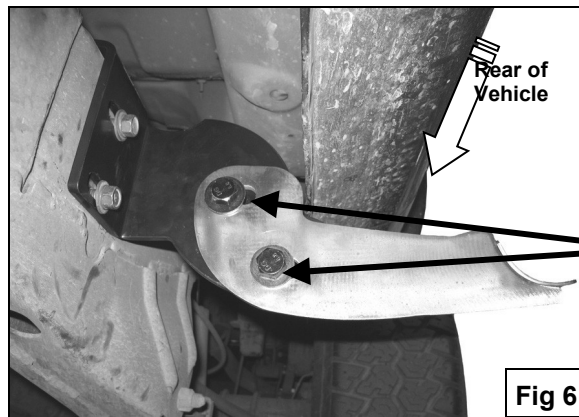
12mm x 35mm Hex Bolts  
12mm Lock Washers  
12mm Flat Washers

Fig 3

***(Driver Rear Mounting Brackets Shown)***

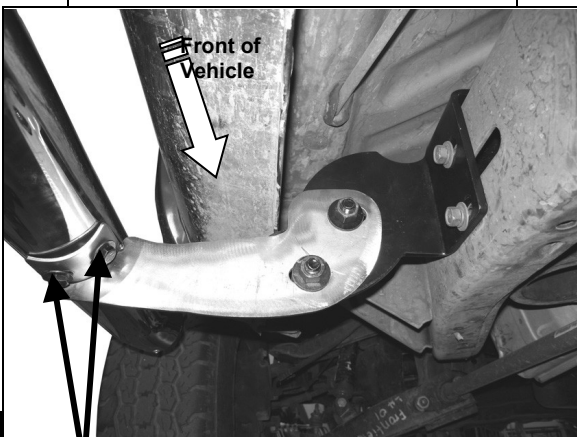


10mm x 30mm Hex Bolts  
10mm Lock Washers  
10mm Flat Washers  
Or  
Factory Bolts



12mm x 35mm Hex Bolts  
12mm Lock Washers  
12mm Flat Washers

**Driver Front Mounting Brackets Shown**



**Installation Complete**



**Fig 7**

**Fig 8**

**8mm x 25mm Hex Bolts  
8mm Lock Washers  
8mm Flat Washers**