

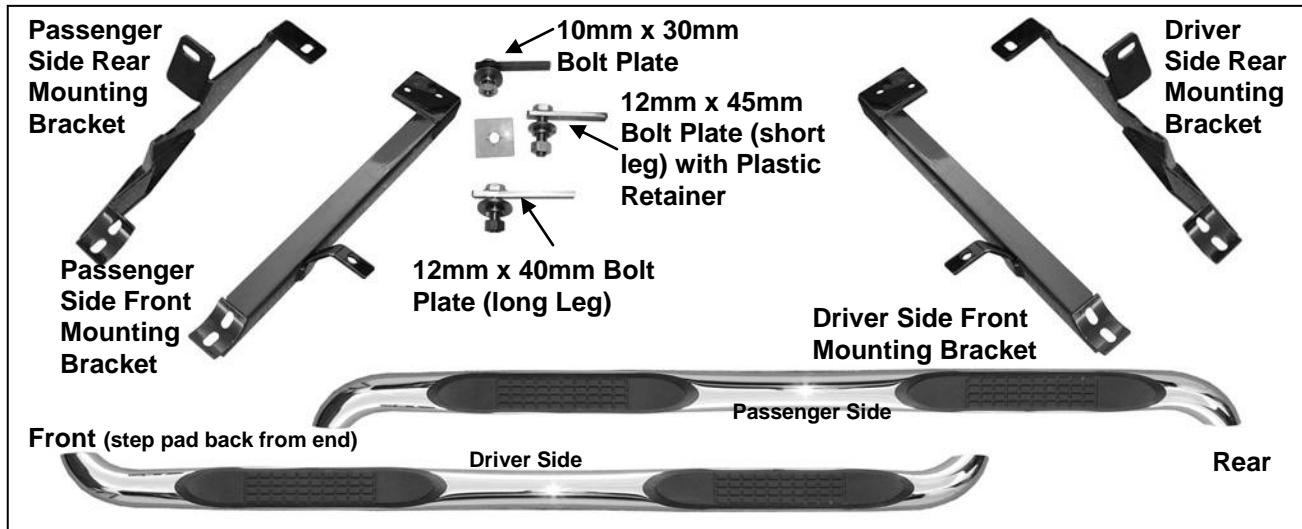
INSTALLATION INSTRUCTIONS

SIDEBAR

2008-2010 HYUNDAI VERACRUZ

PARTS LIST:

1	Driver/Left Sidebar	4	12mm Flat Washers
1	Passenger/Right Sidebar	4	12mm Lock Washers
1	Driver/Left Front Mounting Bracket	4	12mm Hex Nuts
1	Passenger/Right Front Mounting Bracket	4	10-1.25mm x 30mm Fine Thread Hex Bolts
1	Driver/Left Rear Mounting Bracket	6	10mm Flat Washers
1	Passenger/Right Rear Mounting Bracket	6	10mm Lock Washers
2	12mm x 45mm Bolt Plates (short leg)	2	10mm Hex Nuts
2	12mm x 40mm Bolt Plates (long leg)	8	8mm x 25mm Hex Bolts
2	10-1.5mm x 30mm Bolt Plates	8	8mm x 22mm Flat Washers
2	11mm Plastic Retainers	8	8mm Lock Washers



PROCEDURE:

- REMOVE CONTENTS FROM BOX. VERIFY ALL PARTS ARE PRESENT. READ INSTRUCTIONS CAREFULLY BEFORE STARTING INSTALLATION.**
- Starting at the front, driver side of the vehicle, remove the two factory hex bolts located on the bottom of the inner frame rail, **(Figure 1)**. Also, locate and remove the rubber plug in the body well located next to the outer pinch weld, **(Figure 2)**.
- Locate the Driver Side Front Frame Bracket pictured in the illustration above. Insert the 10mm x 30mm Bolt Plate into the outer hole in the body, **(Figure 3)**. Next, hang the bracket from the two threaded holes in the inner frame rail using the supplied (2) 10-1.25mm x 30mm Fine Thread Hex Bolts, (2) 10mm Lock Washers and (2) 10mm Flat Washers. Secure the Bracket from the 10mm Bolt Plate with (1) 10mm Lock Washer, (1) 10mm Flat Washer and (1) 10mm Hex Nut, **(Figure 4)**. Snug but do not tighten at this time.
- Moving toward the rear of the vehicle, locate and remove the oval rubber plug located on the bottom of the inner frame rail and the round rubber plug on the inner body panel pictured in **Figure 5**. Insert (1) 12mm x 40mm Bolt Plate (long leg) into the oval hole. The T-Bolt designed for the round hole on the inner body panel requires an 11mm Plastic Retainer to hold it in place

before installation of the driver side Rear Frame Bracket. Partially thread the retainer onto (1) 12mm x 45mm Bolt Plate (short leg), then insert the Bolt Plate into the body panel.

IMPORTANT: The Plastic Retainer is designed to prevent the Bolt Plate from falling into the body panel during bracket installation, (**Figure 4**).

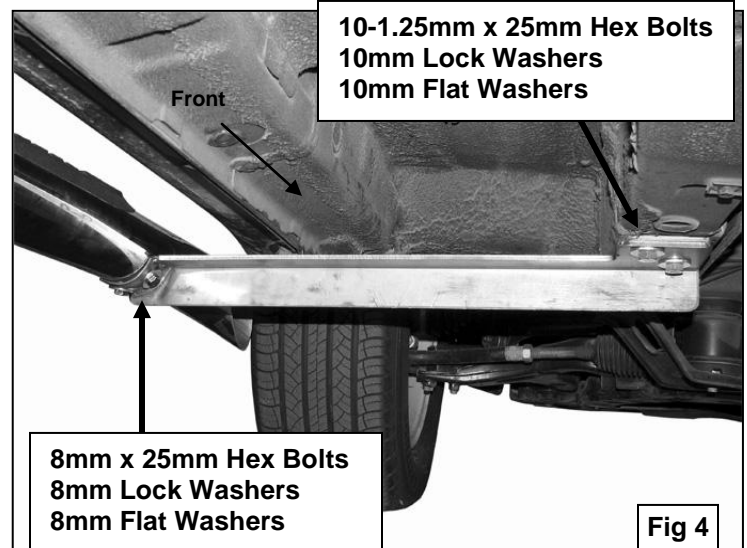
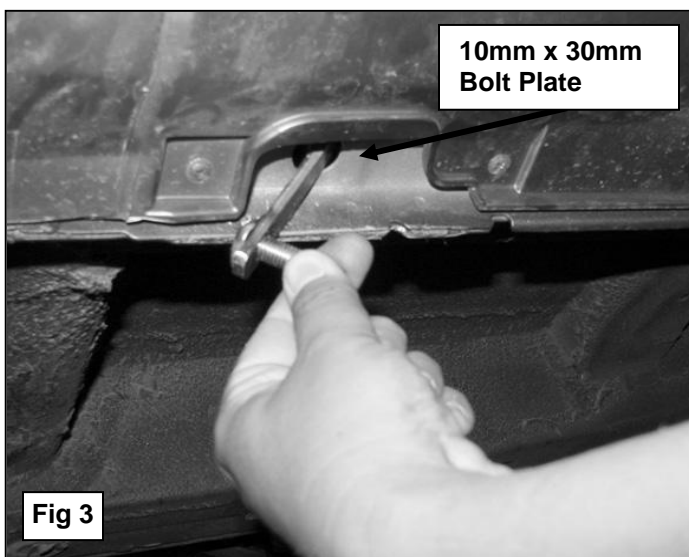
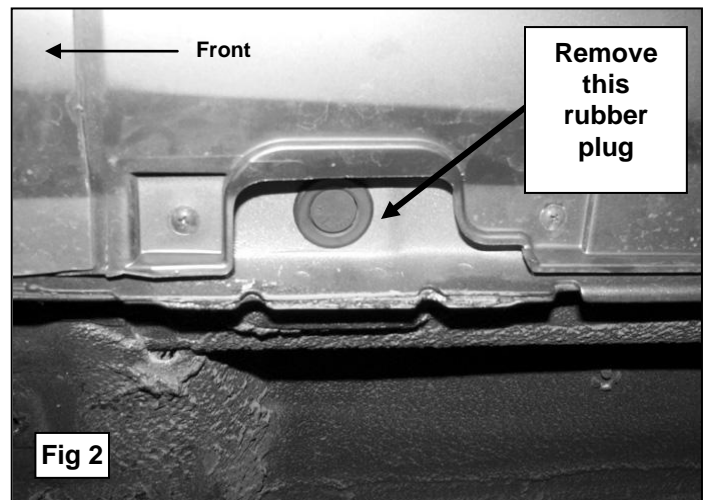
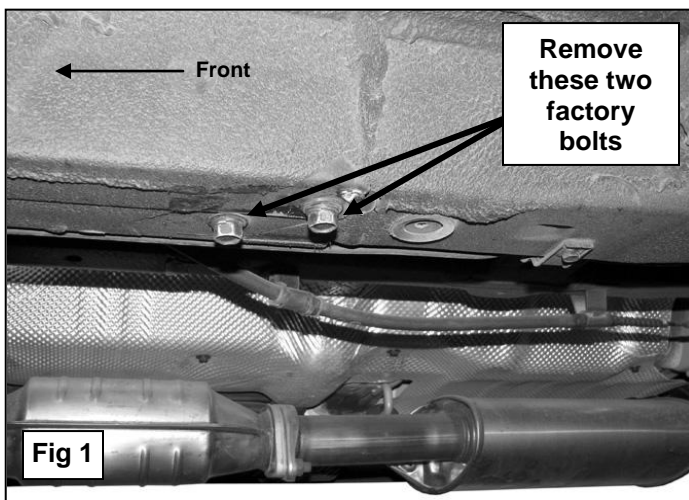
5. Position the driver side Rear Frame Bracket up to the vehicle and partially attach the Bracket to the Bolt Plate inserted into the body panel. Secure using the included (1) 12mm Hex Nut, (1) 12mm Lock Washer, and (1) 12mm Flat Washer. Next hang bracket from the Bolt Plate inserted in the oval hole and secure with the (1) 12mm Hex Nut, (1) 12mm Lock Washer, and (1) 12mm Flat Washer. Snug but do not tighten at this time.
6. Position driver Sidebar onto Mounting Brackets and attach it using the included (4) 8mm x 25mm Hex Head Bolts, (4) 8mm Lock Washers, and (4) 8mm Flat Washers, (**Figure 7**).
7. Level and adjust Sidebar properly and tighten all hardware.
8. Repeat steps 2 - 7 for passenger side.
9. Do periodic inspections of the installation to make sure that all hardware is secure and tight.

To protect your investment, wax this product after installing. Regular waxing is recommended to add a protective layer over the finish. Do not use any type of polish or wax that may contain abrasives that could damage the finish.

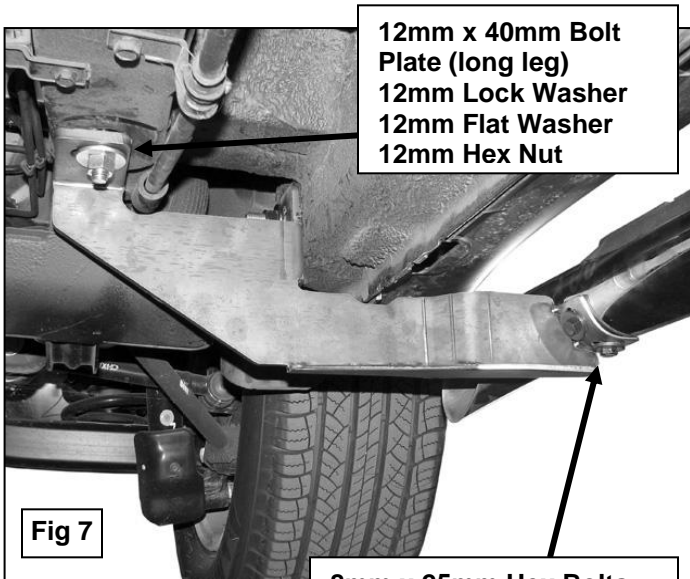
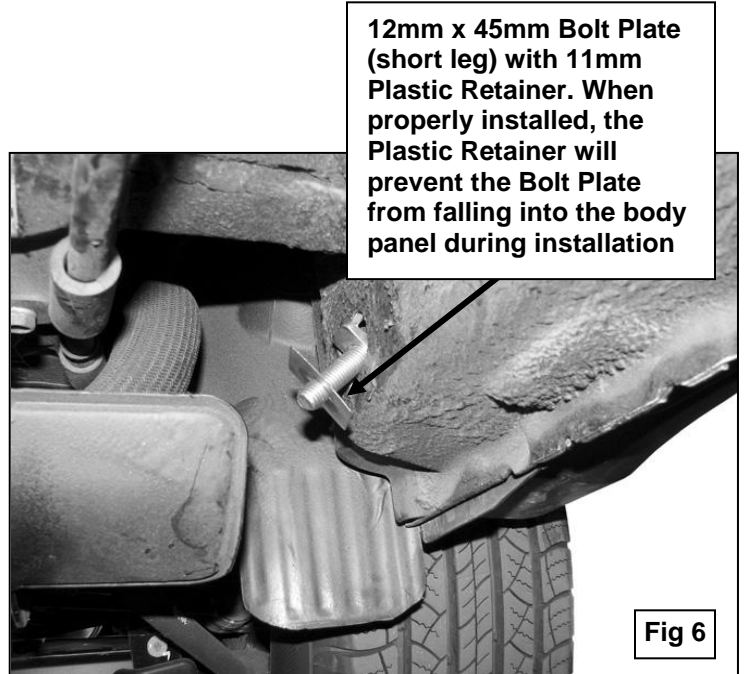
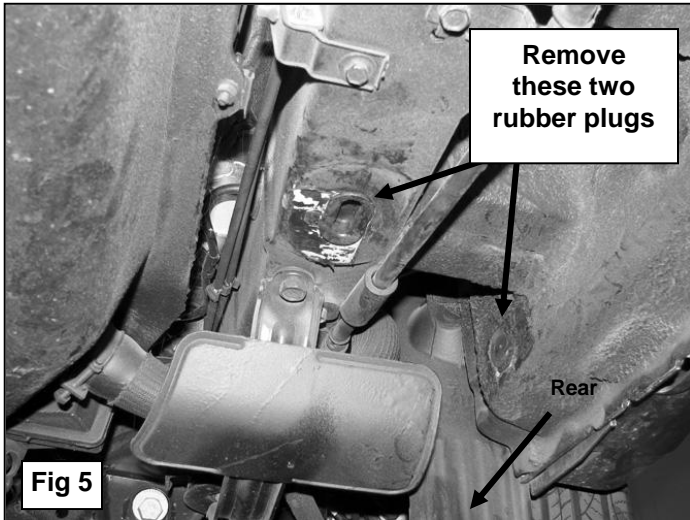
For stainless steel: Aluminum polish may be used to polish small scratches and scuffs on the finish. Mild soap may be used also to clean the Sidebar.

For gloss black finishes: Mild soap may be used to clean the Sidebar.

Driver Side Installation Shown



Driver Side Installation Shown



8mm x 25mm Hex Bolts
8mm Lock Washers
8mm Flat Washers

