
INSTALLATION INSTRUCTIONS
FRONT BAR PART #
2002-06 CADILLAC ESCALADE

PARTS LIST

1-FRONT BAR
1-MOUNTING FRAME BRACKET (PASSENGER SIDE)
1-MOUNTING FRAME BRACKET (DRIVER SIDE)
10-7/16 X 1 1/4 HEX BOLTS
6-7/16 HEX NUTS
20-7/16 WASHERS

INSTALLING THE MOUNTING FRAME BRACKETS

1. Remove factory tow hooks from front section of vehicle
2. align driver side mounting bracket to the bottom and outer edge existing holes. Position bracket in manner shown below. See figure 1.1
3. attach mounting frame brackets using the 7/16 x 1 1/2 hex bolts, 7/16 hex nuts and 7/16 washers. (hand tighten as you may have to move the brackets around slightly, to align the front bar)

NOTE: (2WD MODELS YOU MAY HAVE TO CUT A SPACE IN THE PLASTIC SPOILER FOR THE BOTTOM OF THE FRONT BAR UP RIGHTS TO SLIDE THROUGH AND EVENTUALLY ATTACH TO THE FRAME MOUNTING BRACKETS.

INSTALLING THE FRONT BAR

1. Line up the three holes on the lower portion of the front bar with the three holes on the mounting frame brackets (inner edge) using the 7/16 x 1 1/2 hex nuts and 7/16 washers to fasten the front bar to the mounting frame brackets. Once the front bar is attached to the mounting brackets, align the left and right side of the front bar to the bumper.
2. Once satisfied that the left and right side are equal distance from the bumper all fasteners. See figure 1.2

NOTE: IT IS ADVISABLE TO RE-CHECK ALL FASTENERS FOR TIGHTNESS AFTER ONE WEEK.

FIGURE 1.1

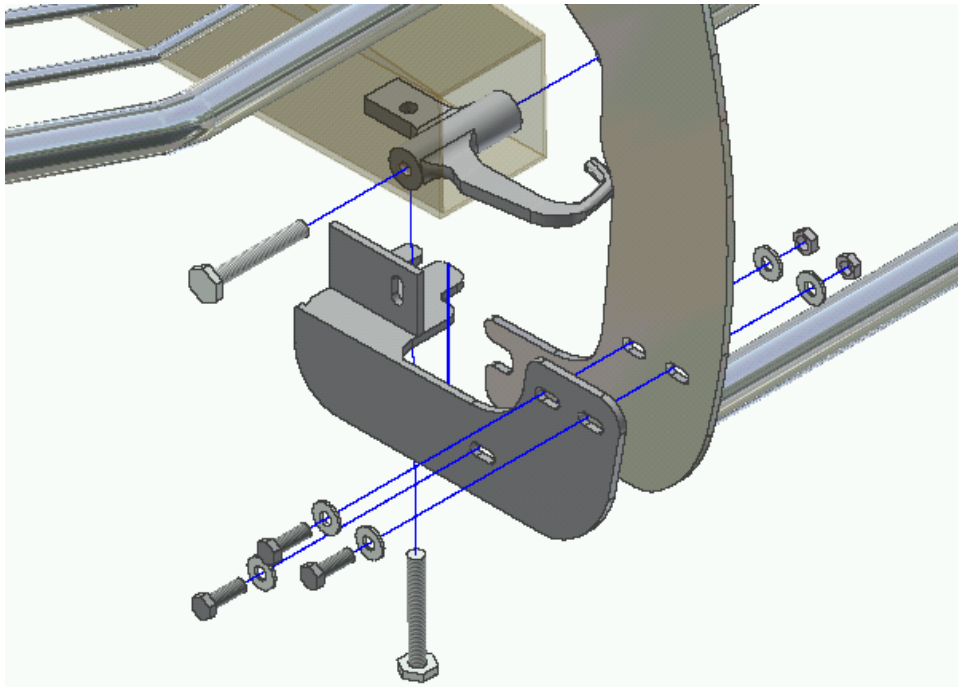
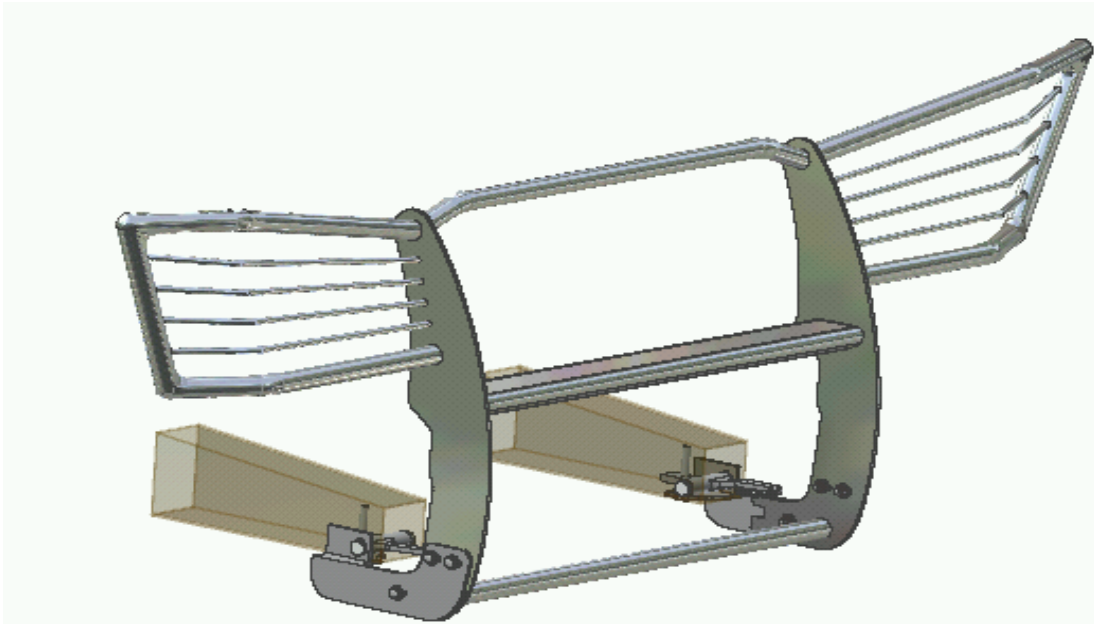


FIGURE 1.2



The picture is for reference