

INSTALLATION INSTRUCTIONS

GRILLE GUARD PART# **50300 /50307**
HUMMER H2 03-06

PARTS LIST

- 1—FRONT BAR
- 4—M10X1.5X40MM BOLTS
- 2—SPACER
- 2—.M8X1.25X55MM BOLTS
- 6—M10 WASHER
- 2—3/8X 1 1/4 BUTTON HEAD BOLTS

INSTALLING FRONT BAR

1. REMOVE LOWER GRILLE ASSEMBLY FROM THE VEHICLE, AS SHOWN IN FIGURE 1.OPEN HOOD TO GAIN ACCESS TO CLIPS ON BACK OF LOWER GRILLE ASSEMBLY, USING THE PLIES, COMPRESS THE CLIPS TO FREE THE LOWER GRILL ASSEMBIL.
2. WITH HOOD OPEN, REMOVE UPPER GRILLE SURROUND BOLTS, AS SHOWN IN FIGURE 2.REPEAT FOR OPPISITE SIDE NOTE FIGURE 2 SHOWN WITH HOOD CLOSED TO SHOW CLARITY.
3. LOCATE FOUR HOLES ON HOOD HINGES.INSTALL THE FRONT BAR TO HOOD HINGE ASSEMBLY USING THE FOUR BOLTS TOW PER HINGE AS FIGHRE 3 HAND TIGHTEN ONLY.
4. WITH HOOD OPEN, INSTALL UPPER BAR SURROUND BOLTS THROUGE BAR PENCIL BRACKET THROUGH SPACER AND INTO BAR SURROUND AS SHOWN FIGURE 4 NOTE FIGURE 4 SHOWN WITH HOOD CLOSED TO SHOW CLARITY.
5. INSTALL LOWER GRILL ASSEMBLY TO THE UPPER GRILLE ASSEMBLY WITH FOUR INTEGRAL CLIPS INTO THE FOUR SLOTS ON THE UPPER GRILLE ASSEMBLY, AS SHOWN IN FIGURE 5.

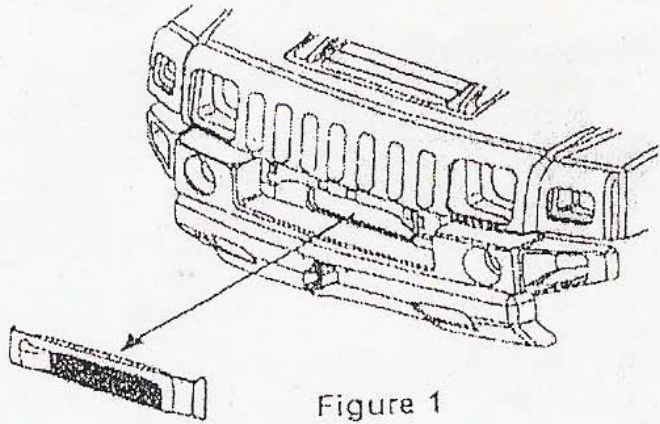


Figure 1

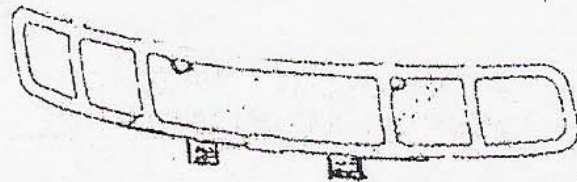


Figure 3

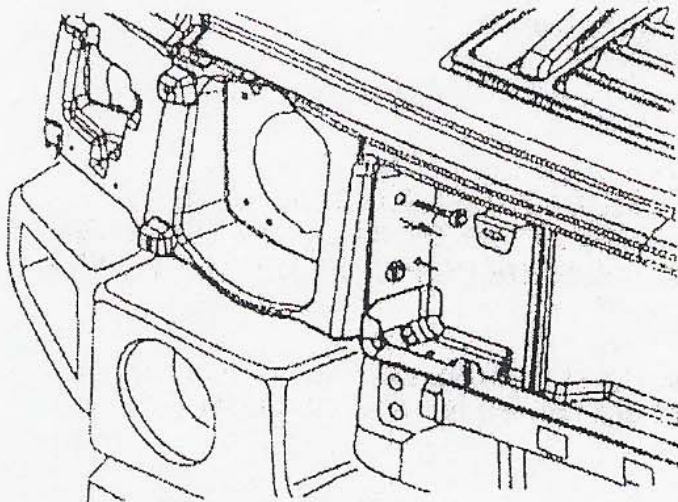


Figure 2

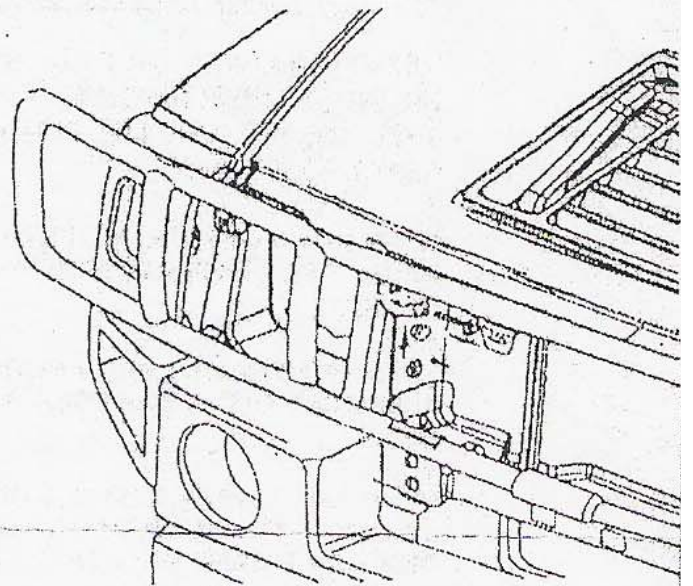


Figure 4

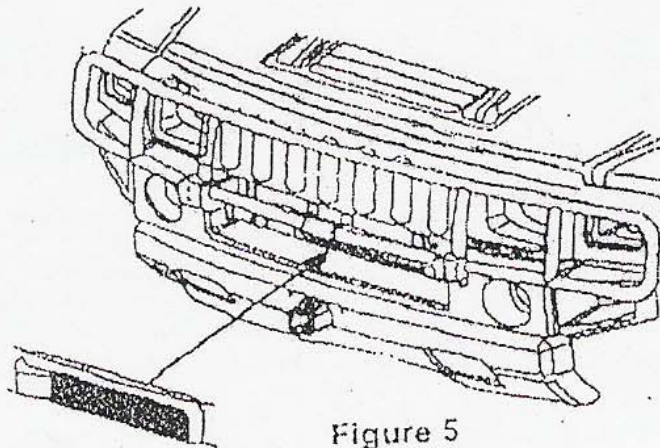


Figure 5