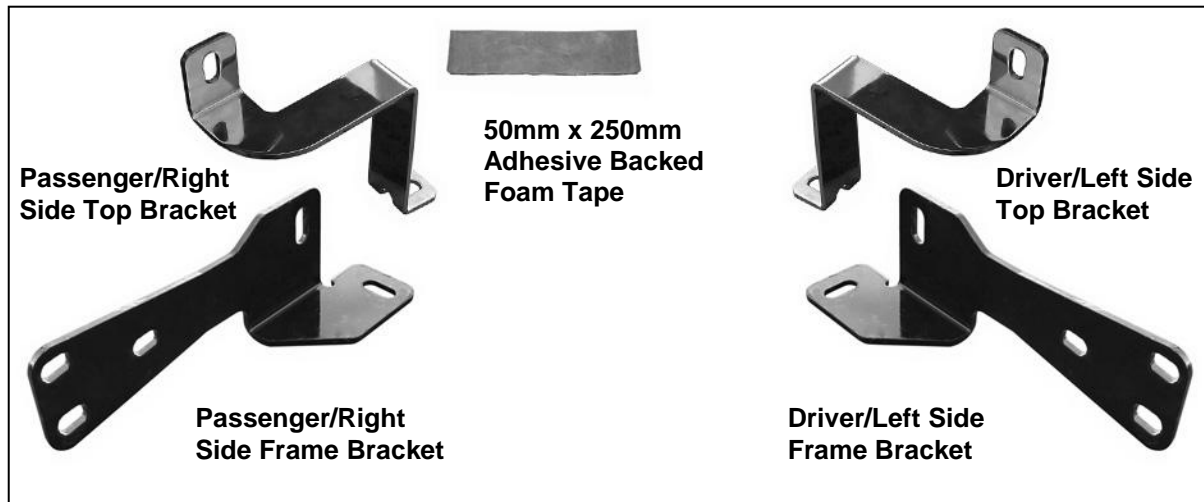


PARTS LIST:

1	Grille Guard	20	12mm x 32mm OD x 3mm Flat Washers
1	Driver/Left Side Frame Bracket	10	12mm Lock Washers
1	Passenger/Right Side Frame Bracket	10	12mm Hex Nuts
1	Driver/Left Side Top Bracket	2	10-1.5mm x 30mm Button Head Bolts
1	Passenger/Right Side Top Bracket	4	10mm x 20mm OD x 2mm Flat Washers
1	50mm x 250mm Adhesive Backed Foam Tape	2	10mm Nylon Lock Nuts
10	12-1.75mm x 35mm Hex Bolts		



PROCEDURE:

1. REMOVE CONTENTS FROM BOX. VERIFY ALL PARTS ARE PRESENT. READ INSTRUCTIONS CAREFULLY BEFORE STARTING INSTALLATION. MINOR TRIMMING MAY BE REQUIRED.
2. Start installation under the front of the vehicle, (**Figure 1**). Remove the two factory bolts holding the driver side tow hook in place and remove the tow hook from the vehicle. **NOTE:** Tow hooks cannot be reinstalled with this Grille Guard. Apply a protective layer of removable tape, (masking tape for example), to the inside of the inlets in the plastic bumper for the tow hook, (**Figure 2**).
3. Select the driver side frame Mounting Bracket. From behind the bumper, insert the Bracket through the inlet for the tow hook, (**Figure 3 & 4**). Line up the (2) holes in the Bracket with the holes for the tow hook hardware. Bolt the Bracket to the frame with (2) 12mm x 35mm Hex Bolts, (4) 12mm Flat Washers, (2) 12mm Lock Washers and (2) 12mm Hex Nuts. Remove the protective tape. Do not tighten hardware at this time.
4. Repeat Steps 2 - 3 for passenger side Mounting Bracket installation.

NOTE: It may be necessary to trim some material from the end of the air intakes in the lower bumper cover to provide additional clearance for the Mounting Brackets.
5. Open the hood and using a flat screwdriver, remove the clips holding the plastic cover in place on top of the radiator, between the radiator and the grille insert. Gently pry up the center button to release, then remove entire clip.
6. Remove the grille insert. **NOTE:** Use a pair of "needle nose" pliers to squeeze the grille mounting clips to release, (**Figure 5**). Once all clips have been released and any other hardware removed, gently pull the grill insert forward from the vehicle.

GRILLE GUARD
2011 CHEVY SILVERADO 25-3500

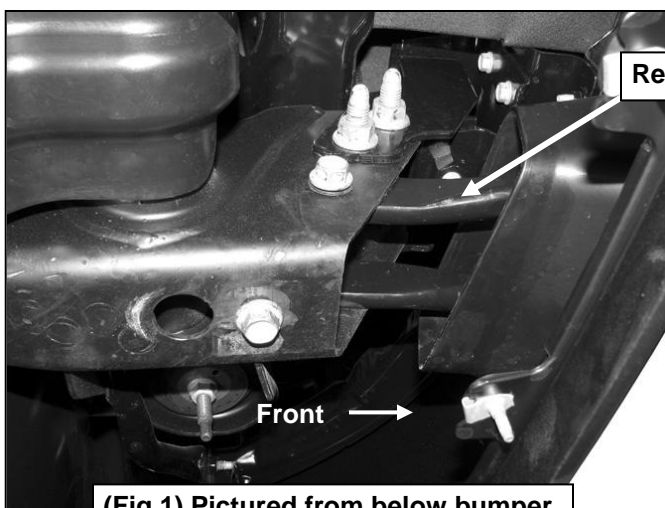
7. Pull back the rubber air deflector at the driver side-bottom of the grille opening to locate the top bumper bolt, **(Figure 6)**. Remove the factory bolt, **(Figure 7)**. Select the driver side Top Mounting Bracket. Apply a section of Adhesive Backed Foam Tape to the underside of the Top Bracket to prevent the Bracket from scratching the plastic bumper cover, **(Figure 8A & 8B)**. Trim as necessary. Next, line up the bottom hole in the Bracket with the hole in the bumper bracket and bolt the Top Bracket to the bumper bracket using the factory hex bolt, **(Figure 9)**. Repeat this step for passenger side Top Bracket installation.
8. With assistance, hold the Grille Guard up to the outside of the Frame Mounting Brackets. Align the holes in the Frame Mounting Brackets with the Grille Guard and bolt together using the included (6) 12mm x 35mm Hex Bolts, (12) 12mm Flat Washers and (6) 12mm Nylon Lock Nuts, **(Figure 10)**. Do not tighten hardware at this time.
9. Attach the Grille Guard to the Top Brackets using the included (2) 10mm x 30mm Button Head Bolts, (4) 10mm Flat Washers and (2) 10mm Nylon Lock Nuts, **(Figure 11)**. **NOTE:** Insert the 10mm Button Head Bolt with 10mm Flat Washer in from the outside of the Grille Guard. Do not tighten at this time.
10. Level and adjust the Grille Guard and tighten all hardware.
11. Reinstall the grille insert and plastic shroud using the factory hardware.
12. Do periodic inspections to the installation to make sure that all hardware is secure and tight.

To protect your investment, wax this product after installing. Regular waxing is recommended to add a protective layer over the finish. Do not use any type of polish or wax that may contain abrasives that could damage the finish.

For stainless steel: Aluminum polish may be used to polish small scratches and scuffs on the finish. Mild soap may be used also to clean the Grille Guard.

For gloss black finishes: Mild soap may be used to clean the Grille Guard.

Driver Side Installation Pictured



Driver Side Installation Pictured

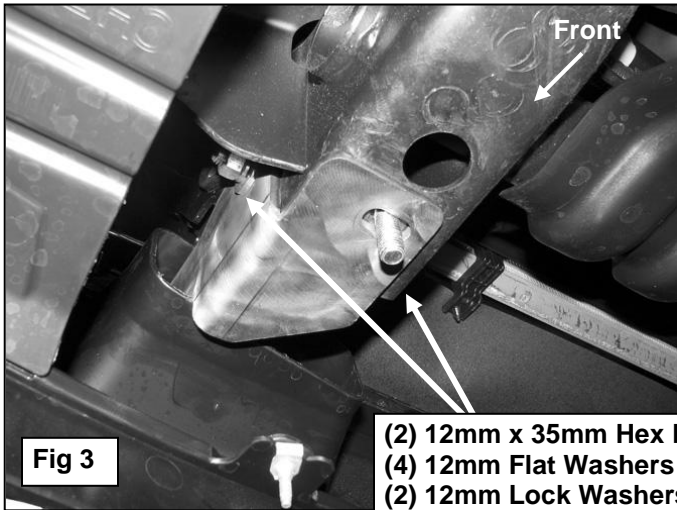


Fig 3

- (2) 12mm x 35mm Hex Bolts
- (4) 12mm Flat Washers
- (2) 12mm Lock Washers
- (2) 12mm Hex Nuts

- 12mm x 35mm Hex Bolt
- (2) 12mm Flat Washers
- 12mm Lock Washer
- 12mm Hex Nut

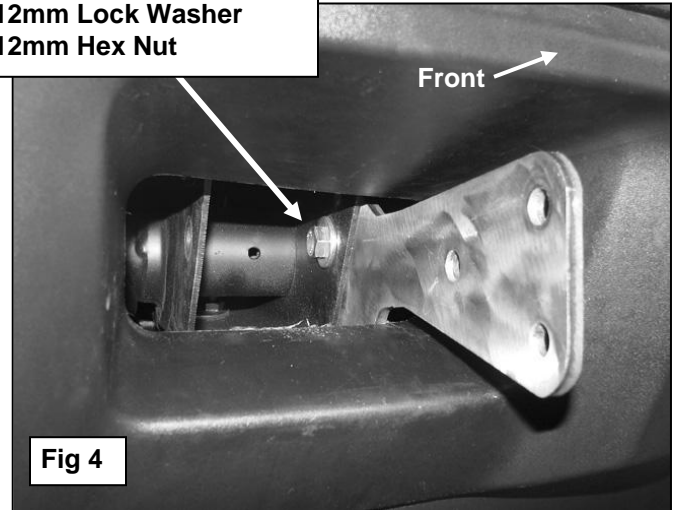


Fig 4

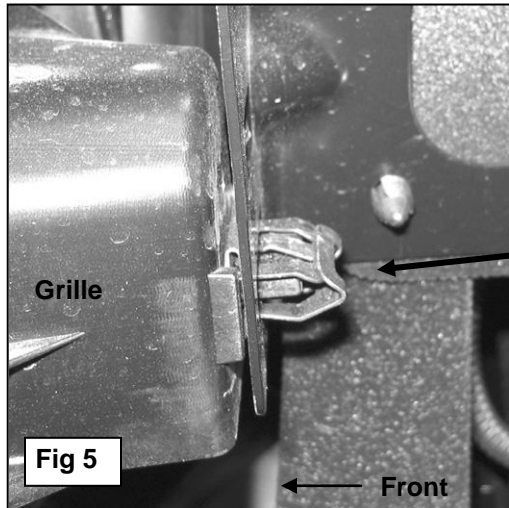


Fig 5

Close up view of retaining clip on back of grille insert

Pull rubber splash guard aside to locate factory top bumper bolt

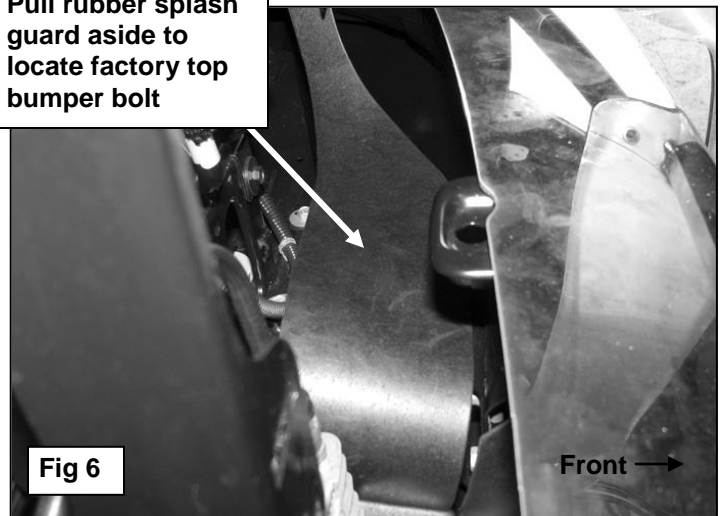


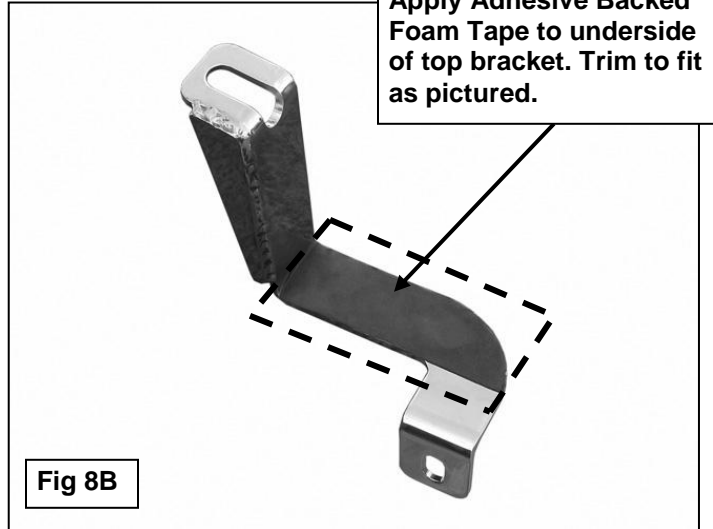
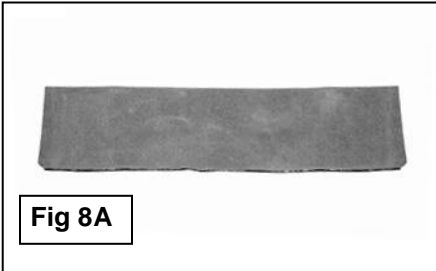
Fig 6



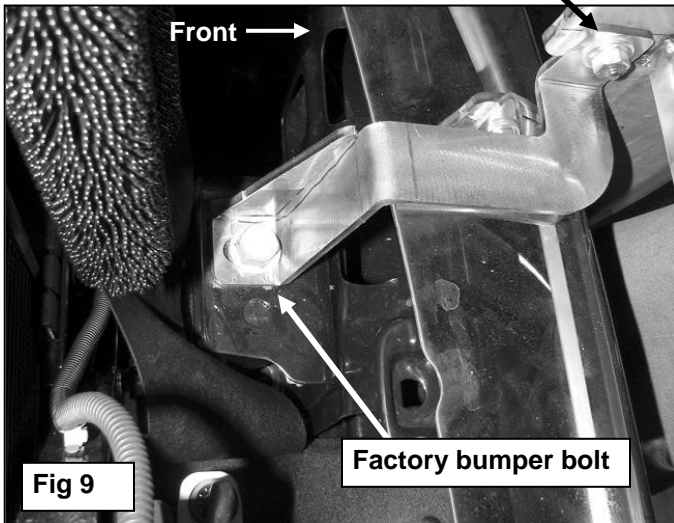
Fig 7

**GRILLE GUARD
2011 CHEVY SILVERADO 25-3500**

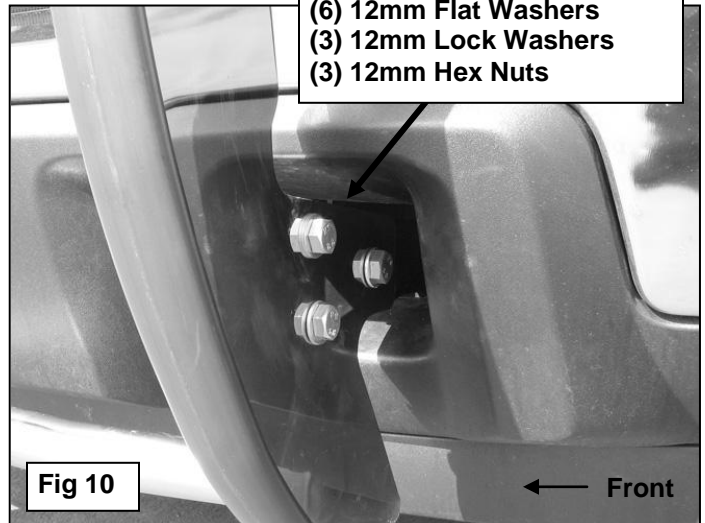
Driver Side Installation Pictured



10mm x 35mm Button Head Bolt
(2) 10mm Flat Washers
10mm Nylon Lock Nut



(3) 12mm x 35mm Hex Bolts
(6) 12mm Flat Washers
(3) 12mm Lock Washers
(3) 12mm Hex Nuts



10mm x 35mm Button Head Bolt
(2) 10mm Flat Washers
10mm Nylon Lock Nut

