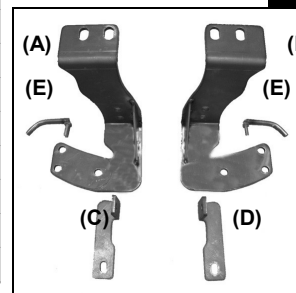


# INSTALLATION INSTRUCTIONS

## GRILLE GUARD 08 FORD ESCAPE PART NUMBER

### PARTS LIST:

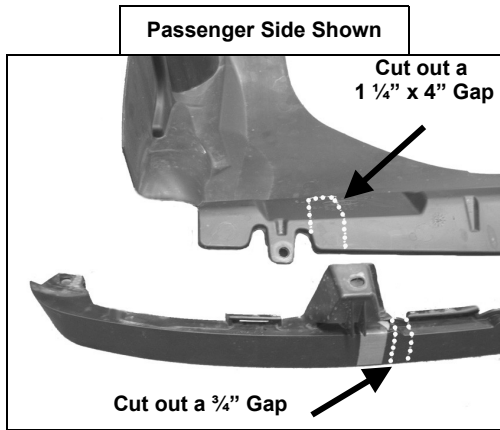
1	Grille Guard	4	10-1.50mm x 30mm Hex Head Bolts
1	Driver/Left Mounting Bracket (A)	4	10mm Lock Washers
1	Passenger/Right Mounting Bracket (B)	10	10mm ID x 26mm OD x 2mm Flat Washers
1	Driver/Left Top Bracket (C)	4	10mm Nylock Nuts
1	Passenger/Right Top Bracket (D)	2	10-1.50mm x 25mm Button Head Bolts
2	10-1.75mm x 25mm Wire Bolt (E)	6	12-1.75mm x 30mm Hex Head Bolts
2	8-1.25mm x 25mm Bolt Plate	6	12mm Nylock Nuts
2	8mm Nylock Nut	12	12mm ID x 29mm OD x 3mm Flat Washers
2	8mm ID x 22mm OD x 2mm Flat Washers		



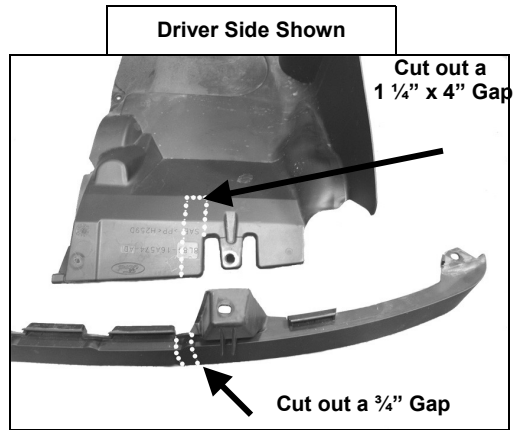
### PROCEDURE:

- 1. REMOVE CONTENTS FROM BOX. VERIFY ALL PARTS ARE PRESENT. READ INSTRUCTIONS CAREFULLY BEFORE STARTING INSTALLATION. DO NOT ATTEMPT INSTALLATION ALONE; PERSONAL INJURY OR DAMAGE TO THE TRUCK MAY RESULT.**
- From underside of vehicle, remove the front factory plastic shroud and the air dam and set aside.
- Using a hacksaw cut out ¾" gap on each marked location on the air dam shown in **Figure 1 & 2**.  
**NOTE:** The air dam will be in three pieces, when re-installing.
- Cut out a 1 ¼" x 4" gap on each marked location on both plastic shrouds as shown in **Figure 1 & 2**. Once the air dam and plastic shroud are both cut, set them aside.
- Locate the three factory holes on the passenger side of the cross member and insert (1) 10mm x 25mm Wire Bolt through factory holes as shown in **Figure 3**.
- There are two factory threaded holes on each side of the front cross member. Locate the passenger side threaded holes.
- Position passenger side Mounting Bracket onto cross member and through already installed Wire Bolt. Secure Mounting Bracket to Wire Bolt by using (1) 10mm Nylock Nut and (1) 10mm Flat Washer (**Figure 4**). Do not tighten at this time.
- Attach the outer side of the Mounting Bracket to factory threaded holes using (2) 10mm x 30mm Hex Head Bolts, (2) 10mm Lock Washers, and (2) 10mm Flat Washers (**Figure 5**). Do not tighten at this time.
- Repeat steps 5-8 for driver side Mounting Bracket.
- On each of the outer bumper intake there is one plastic fastener on the upper section. Using a flat screw driver remove these plastic fasteners (**Figure 6**).
- Engage (1) 8mm x 25mm Bolt Plate through the top of the factory hole where you previously removed the plastic fastener (**Figure 7**).
- Partially hang passenger side Top Bracket to already installed Bolt Plate by using (1) 8mm Nylock Nut and (1) 8mm Flat Washer (**Figure 8**). Do not tighten at this time.
- Repeat steps 10-12 for driver side Top Bracket.
- With help position Grille Guard on the outer side of Mounting Brackets and Top Brackets. Attach Grille Guard to Mounting Brackets using (6) 12mm x 30mm Hex Head Bolts, (6) 12mm Nylock Nuts, and (6) 12mm Flat Washers (**Figure 9**). Do not tighten at this time.
- Attach Grille Guard to Top Brackets using (2) 10mm x 25mm Button Head Bolts, (2) 10mm Nylock Nuts, and (4) 10mm Flat Washers (**Figure 10**). Do not tighten at this time.
- Level and adjust Grille Guard; then tighten all hardware at this time.

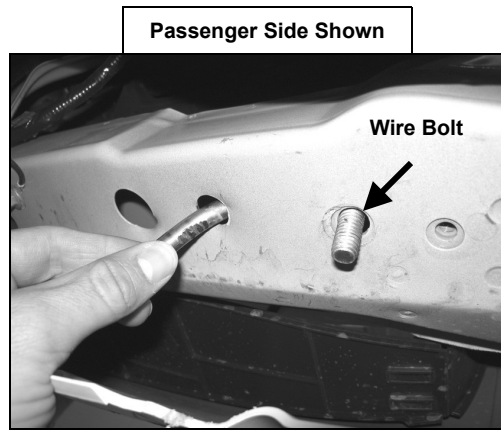
- 17. Re-install plastic shroud and air dam using the factory screws removed in step 2.
- 18. Do periodic inspections to the installation to make sure that all hardware is secure and tight.



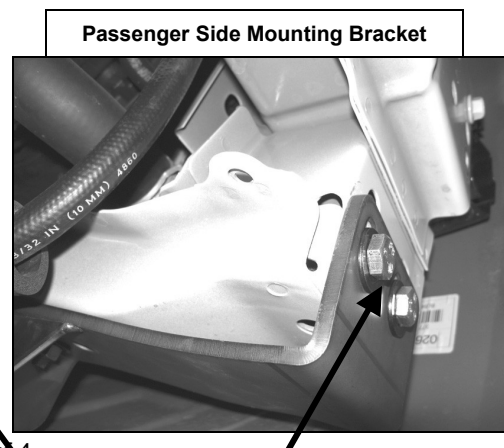
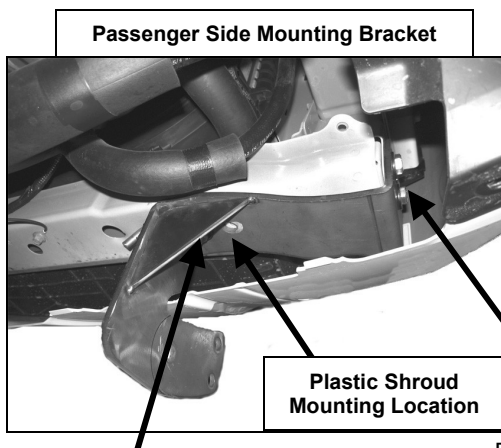
**Figure 1**



**Figure 2**



**Figure 3**



(Wire Bolt)  
10mm Nylock Nut  
10mm Flat Washer

Figure 4

10mm x 30mm Hex  
Head Bolts  
10mm Lock Washers  
10mm Flat Washers

Figure 5

*(Passenger Side Installation Shown)*

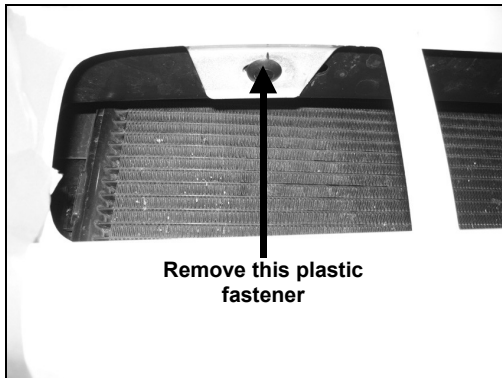


Figure 6

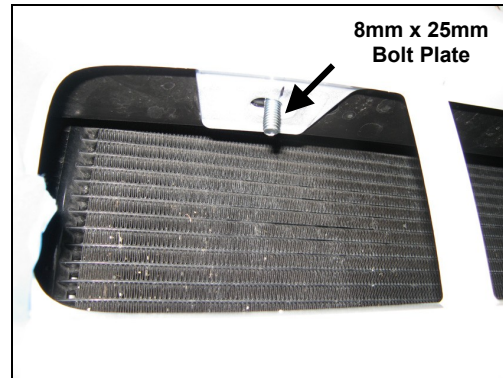


Figure 7

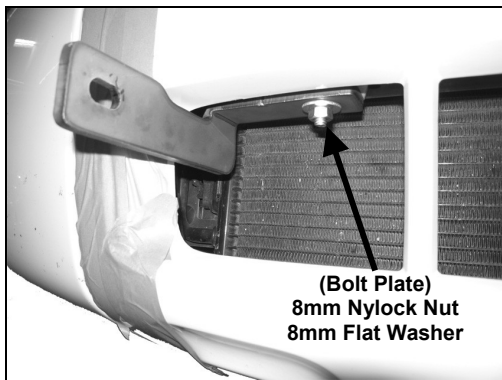


Figure 8

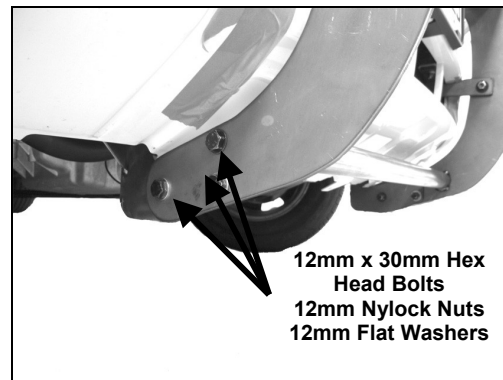
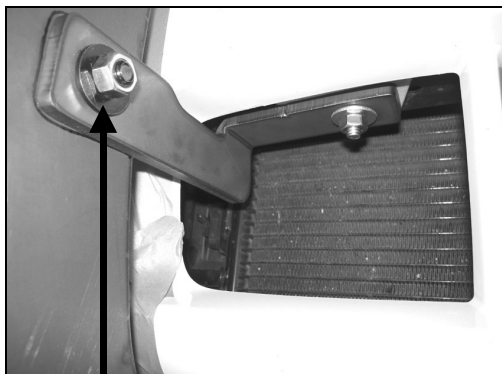


Figure 9



Installation Complete



10mm x 25mm  
Button Head Bolt  
10mm Nylock Nut  
10mm Flat Washers

**Figure 10**

**Figure 11**