

INSTALLATION INSTRUCTIONS

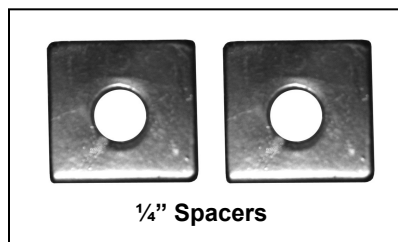
GRILLE GUARD

98-06 TOYOTA LANDCRUISER

PART # 53060 / 53067

PARTS LIST:

1	Grille Guard	2	10-1.50mm x 25mm Allen Head Bolt
1	Driver/Left Mounting Bracket	2	10mm Nylock Nuts
1	Passenger/Right Mounting Bracket	2	10mm ID x 25mm x 2mm Flat Washers
1	Driver/Left Top Bracket	2	12-1.75mm x 140mm Hex Head Bolts
1	Passenger/Right Top Bracket	6	12-1.75mm x 40mm Hex Head Bolts
2	1/4" Spacers	8	12mm Nylock Nuts
		16	12mm ID x 24mm OD x 1.5mm Flat Washers



PROCEDURE:

- 1. REMOVE CONTENTS FROM BOX. VERIFY ALL PARTS ARE PRESENT. READ INSTRUCTIONS CAREFULLY BEFORE STARTING INSTALLATION.**
- From underside of vehicle, remove the factory tow hook and tie down brackets from frame. Notice at the end of each chassis member there is a hole that traverses from top to bottom.
- Insert (1) 12mm x 140mm Hex Head Bolt through the bottom hole and fasten both driver side Top Bracket and driver side Mounting Bracket as shown in **Figure 1 & 2**. Use the factory bolt to attach the rear hole in the Mounting Bracket. **NOTE:** To re-install the factory tie down, you would need to reverse it and use the included 1/4" Spacer on the rear factory bolt (inner bolt). Do not tighten Brackets all the way now, to be able to make adjustments later when installing Grille Guard.
- Repeat step 3 for passenger side for Top and Mounting Bracket. **NOTE:** The J-Hook can be reinstalled by reversing it as well.
- Once the Mounting Brackets are installed proceed to install the Grille Guard. With help position Grille Guard on the outer side of Top and Mounting Brackets. Use the included (6) 12mm x 40mm Hex Head Bolts, (6) 12mm Nylock Nuts, and (12) 12mm Flat Washers. Do not tighten at this time (**Figure 2**).
- Attach Grille Guard to Top Brackets using the included (2) 10mm x 25mm Allen Bolts, (2) 10mm Nylock Nuts, and (2) 10mm Flat Washers (**Figure 2**).
- Adjust the Grille Guard properly, and then tighten all hardware at this time.
- Do periodic inspections to the installation to make sure that all hardware is secure and tight.

To protect your investment, wax this product after installing. Regular waxing is recommended to add a protective layer over the finish. Do not use any type of polish or wax that may contain abrasives that could damage the finish.

For stainless steel: Aluminum polish may be used to polish small scratches and scuffs on the finish. Mild soap may be used also to clean the Grille Guard.

For gloss black finishes: Mild soap may be used to clean the Grille Guard.

FIGURE 1

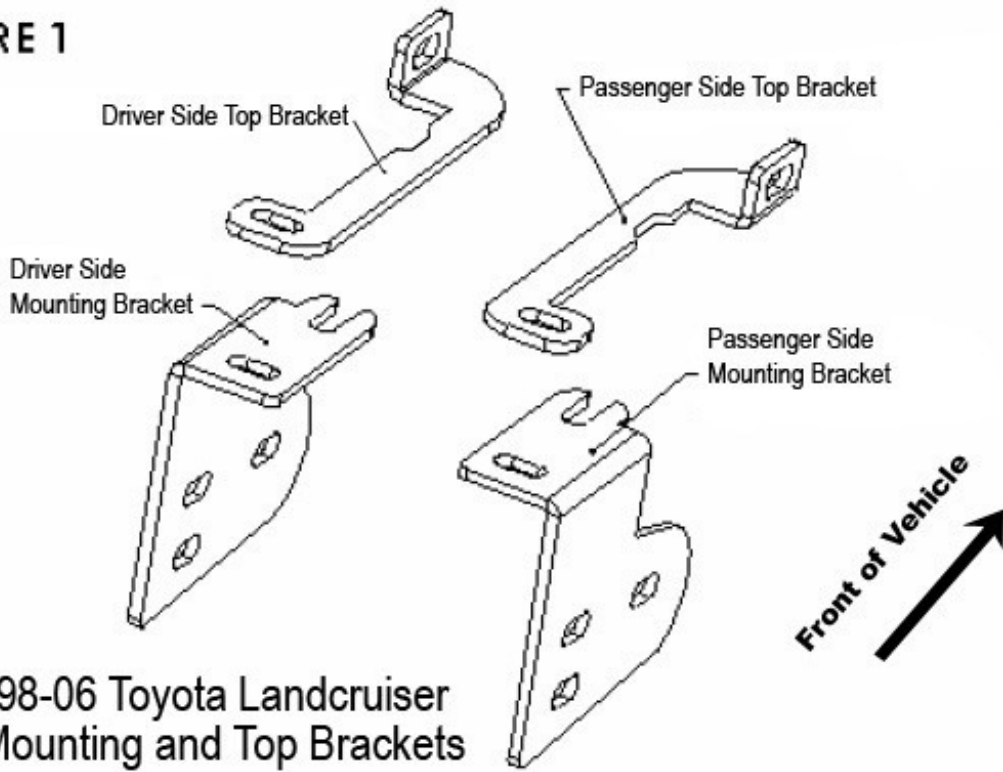
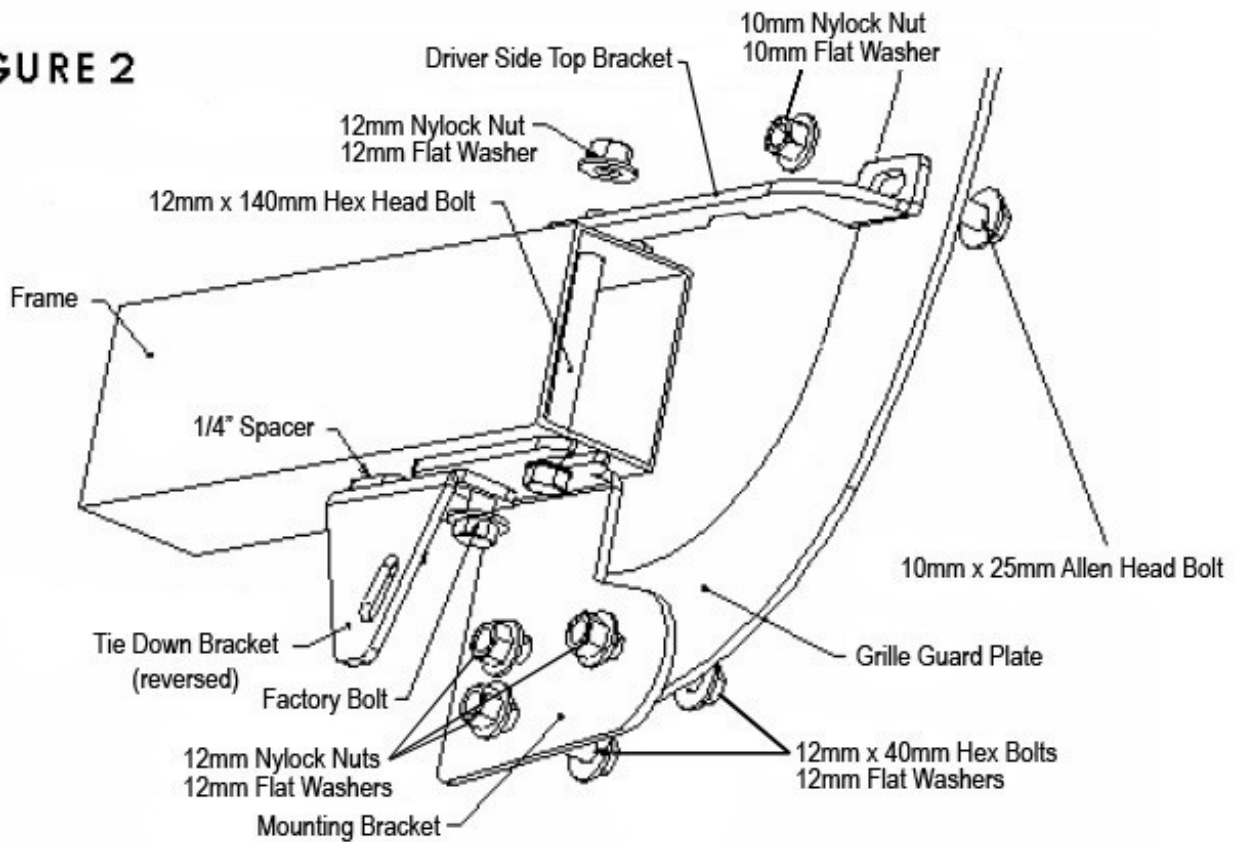


FIGURE 2



(AM)

98-06 Toyota Landcruiser
Driver Side Assembly Shown

