

**INSTALLATION INSTRUCTIONS**  
**FRONT BAR PART#**  
**01-04 NISSAN FRONTIER/FRONTIER CREW CAB 2/4 WD**

**PARTS LIST**

1- FRONT BAR	2- 5/16 X 3/4 HEX BOLTS
2- BOTTOM FRAMES MOUNTING BRACKETS	2- 5/16 HEX NUTS
2- TOP MOUNTING BRACKETS	2- 1/4 X 3/4 SCREWS
6- 7/16 X 1 1/4 HEX BOLTS	2- 1/4 HEX NUTS
12- 7/16 FLAT WASHERS	4-5/16 FLAT WASHERS
4-1/4 FLAT WASHERS	6-7/16 LOCK NUTS

**INSTALLING THE BOTTOM FRAME MOUNTING BRACKETS**

1. Remove the two factory bolts directly behind bumper. The bolts are parallel (one directly behind the other). The bolt pattern on the frame mounting brackets will be positioned in manner shown in illustration. (Driver side shown) attach frame mounting brackets re-using factory bolts.

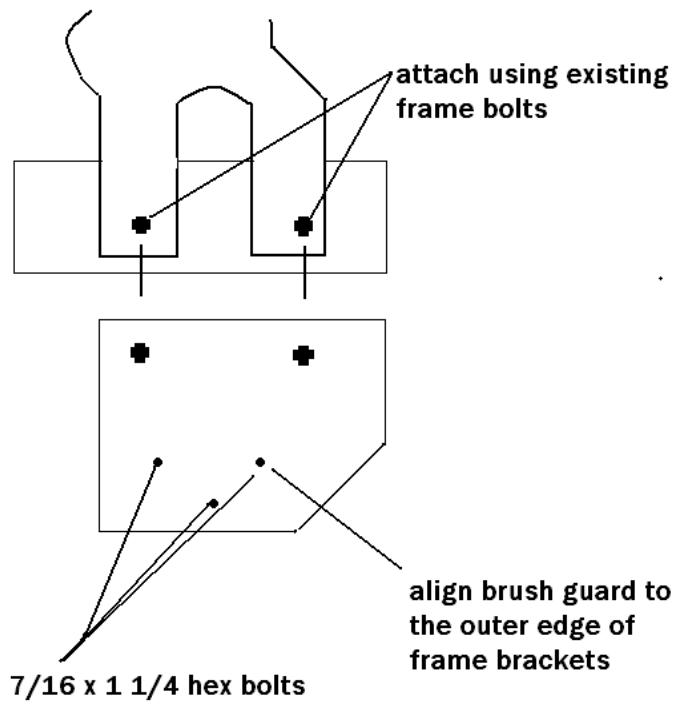
**INSTALLING THE TOP MOUNTING BRACKETS**

2. Remove the outer (2) rivets. (Located) within the inner vent bumper opening). The bolts pattern on the top mounting brackets will be positioned in manner shown in illustration. Attach top mounting brackets using the 5/16 bolts, 5/16 hex nuts. (Hand tighten as you may have to move the brackets around slightly to align the front bar.

**INSTALLING THE FRONT BAR**

3. line up the three holes on the lower portion of the front bar with the three holes on the frame mounting brackets (outer edge) using the 7/16 x 1 1/4 hex bolts, 7/16 hex nuts and 7/16 flat washers to fasten the front bar to the frame mounting brackets. Top portion of the front bar will line up with the one hole on the top mounting brackets. (outer edge) using the 3/8 x 1 button bolts, 3/8 hex nuts and 3/8 flat washers to fasten the front bar.
4. once the front bar is attached to the mounting brackets align the left and right side of the front bar to the bumper. Once you are satisfied that the left and right side are equal distance from the bumper tighten all fasteners.

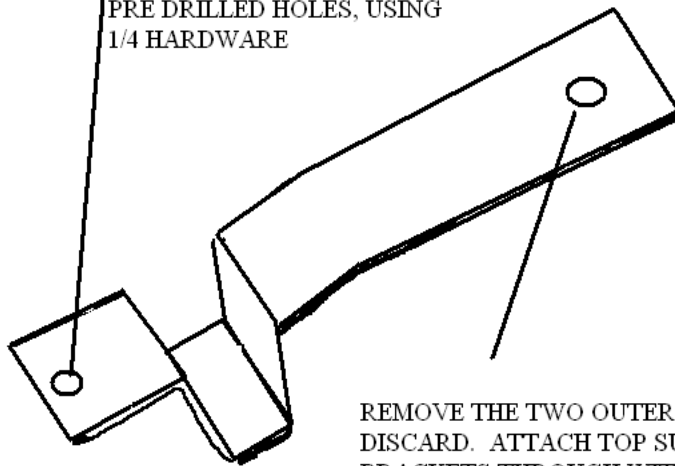
## BOTTOM MOUNT BRACKETS



## TOP MOUNTING BRACKETS

### TOP BRACKET

ATTACH UNDER CENTER  
BRUSH GUARD PLATE, (5/16  
PRE DRILLED HOLES, USING  
1/4 HARDWARE



REMOVE THE TWO OUTER RIVETS AND  
DISCARD. ATTACH TOP SUPPORT  
BRACKETS THROUGH WITH 5/16  
HARDWARE.

---