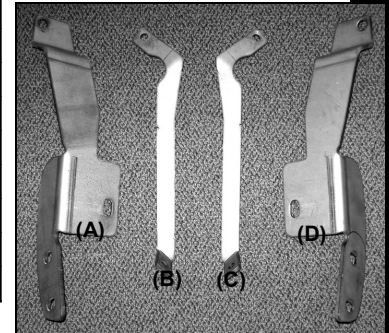


INSTALLATION INSTRUCTIONS

GRILLE GUARD 07 HONDA CRV PART NUMBER

PARTS LIST:

1	Grille Guard	2	10-1.50mm x 30mm Hex Head Bolts
1	Passenger Side Mounting Bracket (A)	8	10mm Thick Flat Washers
1	Driver Side Mounting Bracket (D)	4	10mm Nylock Nuts
1	Passenger Side Top Bracket (B)	2	10mm Nut Plates
1	Driver Side Top Bracket (C)	2	10-1.50mm x 40mm Hex Head Bolts
2	8-1.25mm x 25mm Hex Head Bolts	4	12-1.75mm x 30mm Hex Head Bolts
4	8mm ID x 22mm OD x 3mm Flat Washers	8	12mm Thick Flat Washers
2	8mm Nylock Nut	4	12mm Nylock Nuts
		2	10-1.50mm x 25mm Allen Bolts



PROCEDURE:

- 1. REMOVE CONTENTS FROM BOX. VERIFY ALL PARTS ARE PRESENT. READ INSTRUCTIONS CAREFULLY.**
- Using a flat screwdriver carefully remove all fasteners from factory plastic shroud on top and underneath the vehicle. On the bottom there are (4) on the front and (3) on each side by the fender. On the top there are (7) fasteners.
- Remove bottom plastic shroud and place it on a working area. Using a hack saw carefully cut the marked area shown in Figure 1.
- Re-install the bottom factory plastic shroud with original fasteners. **NOTE:** Do not install the two fasteners shown in Figure 1.
- Slide Passenger Side Mounting Bracket through the previously cut out slot on the plastic shroud and position bracket to its mounting location (Figure 2). **NOTE:** Rear hole on the Mounting Brackets should line up with the holes on the plastic shroud as well.
- Install the rear of the Passenger Side Mounting Bracket to existing hole on the sub-frame with the included (1) 10-1.50mm x 30mm Hex Head Bolt, (1) 10mm Nylock Nut, and (2) 10mm Flat Washers(Figure 2). Do not tighten hardware at this time.
- Install the front of the Passenger Side Mounting Bracket to the existing hole on the factory bumper with the included (1) 10-1.50mm x 40mm Hex Head Bolt, (1) 10mm Flat Washer, and (1) 10mm Nut Plate (Figure 2). Do not tighten hardware at this time. **IMPORTANT: Before you thread Bolt into Nut Plate, make sure you measure the bolt. The bolt should measure no more than 40mm / 1 9/16". If the bolt is longer than 40mm / 1 9/16", do not attempt to install the bolt if it is longer than 40mm / 1 9/16", doing so will cause damage the radiator.**
- Repeat steps 5-7 for driver side Mounting Bracket.
- Locate the passenger side Top Bracket and slide it through top section of factory grille shell.
- Install the inner side on the Top Bracket to the existing hole on the radiator support with the included (1) 8-1.25mm x 25mm Hex Head Bolt, (1) 8mm Nylock Nut, and (2) 8mm Flat Washers (Figure 3 & 4). Do not tighten hardware at this time.
- Repeat step 9 &10 for Driver Side Top Bracket.
- With help position Grille Guard on the inner side of the Mounting Brackets. Attach Grille Guard to Mounting Brackets with the included (4) 12-1.75mm x 30mm Hex Head Bolts, (4) 12mm Nylock Nuts, and (8) 12mm Flat Washers (Figure 2). Do not tighten hardware at this time.

13. Align hole on the passenger side Top Bracket with hole on the Grille Guard plate. Attach Top Bracket to Grille Guard plate with the included (1) 10-1.50mm x 25mm Allen Bolt, (1) 10mm Flat Washer, and (1) 10mm Lock Nut. Repeat this step for driver side. Do not tighten hardware at this time.
14. Level and adjust Grille Guard then tighten all hardware at this time.
15. Do periodic inspections to the installation to make sure that all hardware is secure and tight.

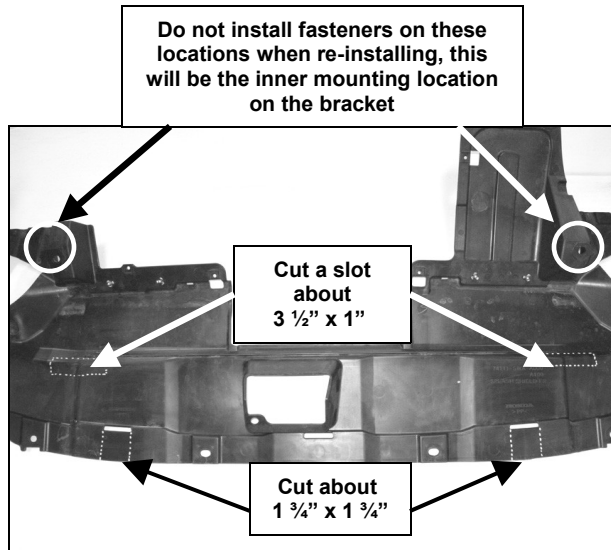


Figure 1

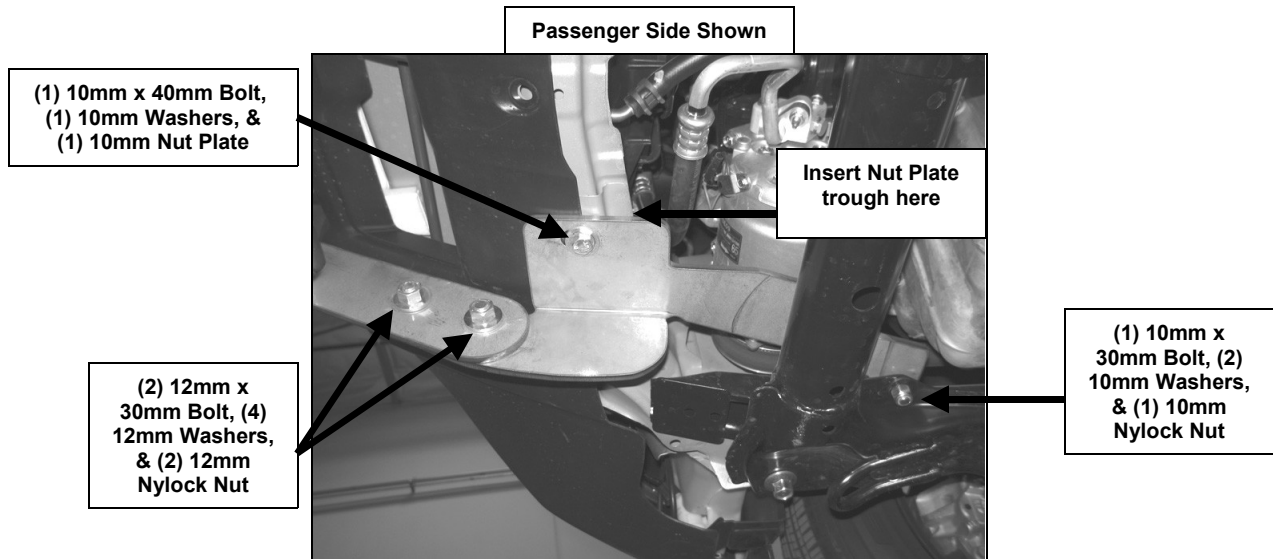


Figure 2

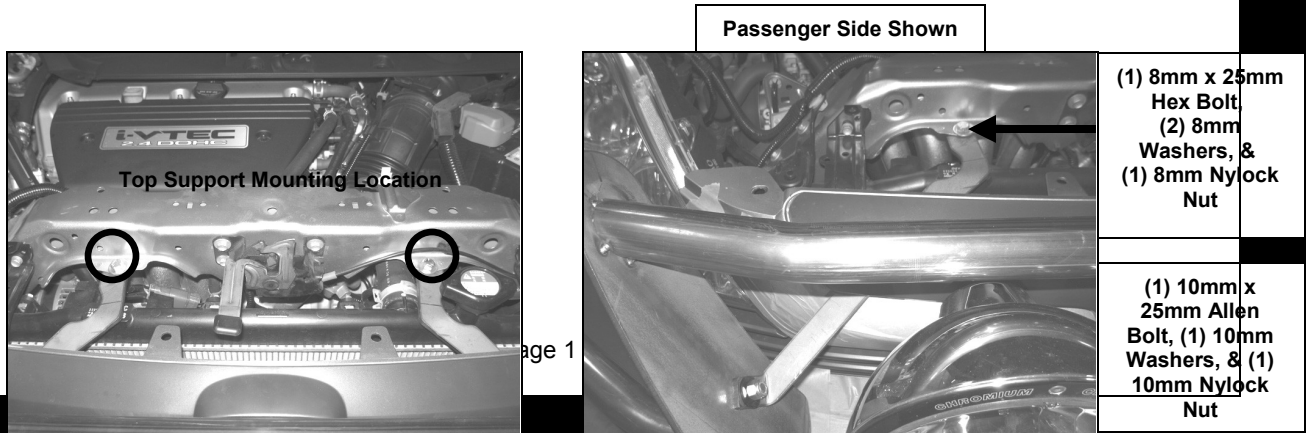


Figure 3



Figure 4