

INSTALLATION INSTRUCTIONS

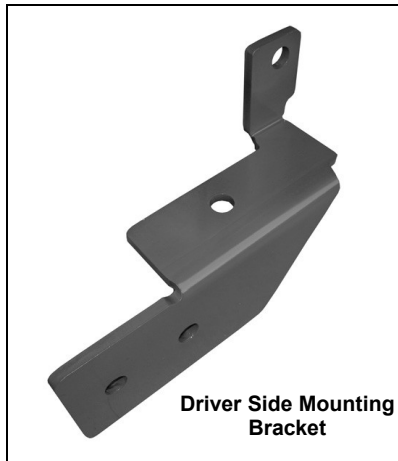
REAR BUMPER GUARD (Single Tube)

05-08 NISSAN PATHFINDER

PART

PARTS LIST:

1	Rear Bumper Guard	6	12-1.75mm x 35mm Hex Head Bolts
1	Driver/Left Mounting Bracket	6	12mm Lock Washers
1	Passenger/Right Mounting Bracket	6	12mm Hex Nuts
		12	12mm ID x 29mm OD x 3mm Flat Washers

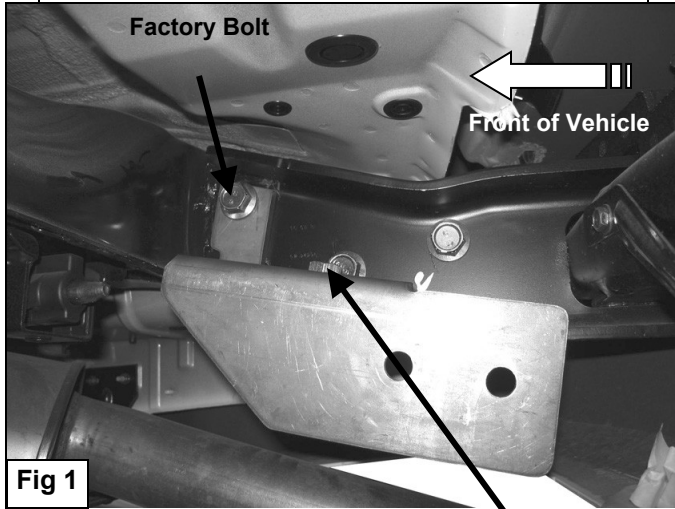


PROCEDURE:

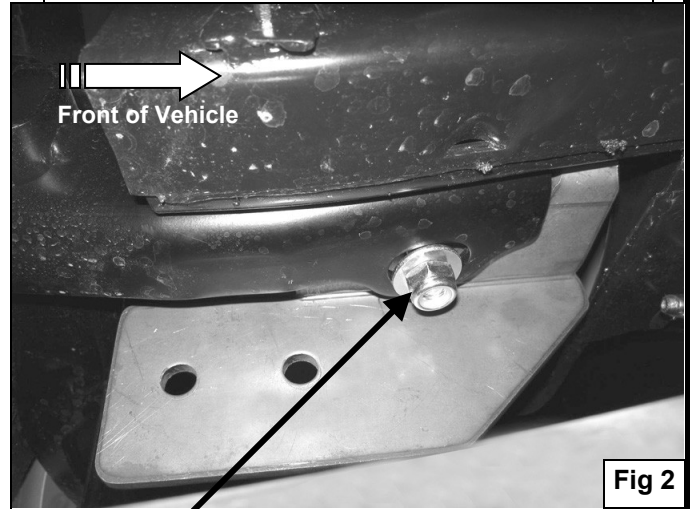
1. REMOVE CONTENTS FROM BOX. VERIFY ALL PARTS ARE PRESENT. READ INSTRUCTIONS CAREFULLY BEFORE STARTING INSTALLATION.
2. **NOTE:** To ease the installation, you would need to lower the spare tire.
3. Locate the three factory bolts in the rear end of the passenger side frame rail. Remove the inner bolt towards the front of the vehicle. Position passenger side Mounting Bracket on the inner side of frame rail and loosely attach the upper hole in the Mounting Bracket to the side of the frame rail using the factory bolt.
NOTE: If vehicle is equipped with factory tow hitch, mount the Mounting Brackets on top of receiver hitch bracket.
4. Loosely attach the lower hole in the Mounting Bracket to the factory hole in the bottom of the frame rail using the included (1) 12mm x 35mm Hex Head Bolt, (1) 12mm Lock Washer, (1) 12mm Hex Nut, and (2) 12mm Flat Washers.
5. Repeat steps 3 & 4 for driver side.
6. With Help position Rear Bumper Guard on the outer side of Mounting Brackets and attach them using the included (4) 12mm x 32mm Hex Head Bolts, (4) 12mm Lock Washers, (4) 12mm Hex Nuts, and (8) 12mm Flat Washers.
7. Level and adjust Rear Bumper Guard; then tighten all hardware at this time.
8. Rise and secure the spare tire at this time. **NOTE:** Align the tire when rising so it won't hit the Mounting Brackets.
9. Do periodic inspections to the installation to make sure that all hardware is secure and tight.

To protect your investment, wax this product after installing. Regular waxing is recommended to add a protective layer over the finish. Do not use any type of polish or wax that may contain abrasives that could damage the finish.
For stainless steel: Aluminum polish may be used to polish small scratches and scuffs on the finish. Mild soap may be used also to clean the Sidebar.
For gloss black finishes: Mild soap may be used to clean the Sidebar.

Passenger Inner Side of Mounting Bracket Shown

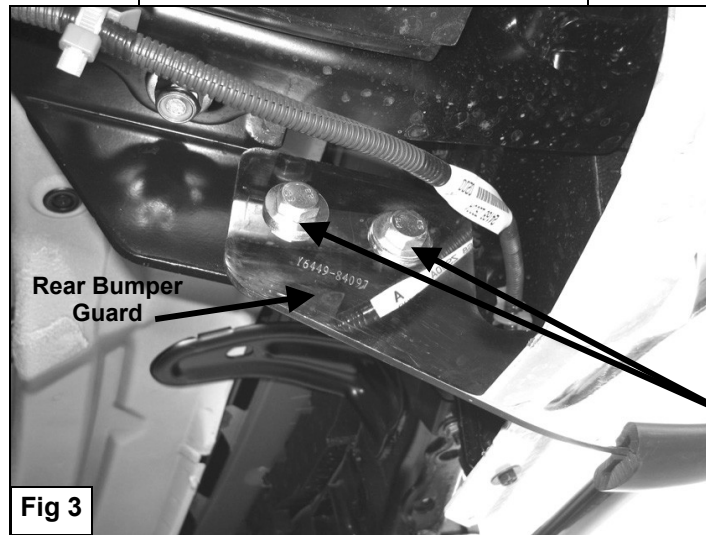


Passenger Outer Side of Mounting Bracket Shown



- 12mm x35mm Hex Head Bolt
- 12mm Lock Washer
- 12mm Hex Nut
- 12mm Flat Washer

Driver Side Mounting Bracket Shown



- 12mm x35mm Hex Head Bolts
- 12mm Lock Washers
- 12mm Hex Nuts
- 12mm Flat Washers



